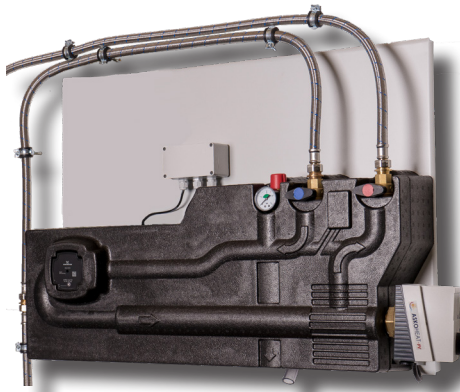
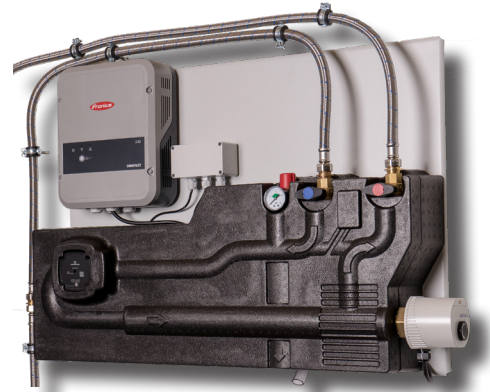


ASKOMA *we care about energy*



EXCLUSIVELY FOR HEATING WATER

Top Features
High efficient storage loading
No turbulence of the temperature layer
Easy to assemble

ASKOWALL

FOR HIGH STORAGE TEMPERATURES, LEGIONELLA PROTECTION AND FOR SURPLUS PV POWER STORAGE



- **ASKOWALL+** for **ASKOHEAT+** and **ASKOFAMILY+**
- **ASKOWALL-OP** for Fronius Ohmpilot continuously adjustable
- **ASKOWALL** for standard heating elements

THE WALL CONSOLE READY-FOR-CONNECTION

The **ASKOWALL** is designed for easy installation on any conventional heating buffer tank to provide the user with energy-efficient, smooth, high-temperature stratification.

A heat pump has a very good efficiency (COP) at low flow temperatures.

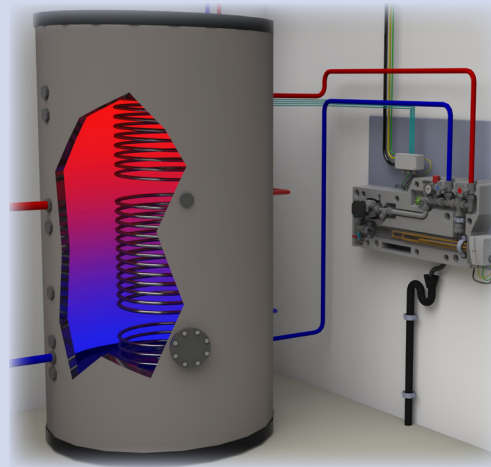
It should be noted that the COP for air-water heat pumps is usually specified at a flow temperature of 35°C and an outside temperature of 0°C. With air-water heat pumps, it is now assumed that efficient charging is guaranteed up to 45°C.

Around 60°C is needed to achieve the ideal temperature for drinking water hygiene and volumous pouring capacities. For the protection against legionella it needs to be 70°C.

This is where our **ASKOWALL** comes into play, with a large selection of ASKOMA heating elements.

- **ASKOHEAT+ 3** and **7** levels to store PV electricity surplus - also as emergency heating
- **ASKOHEAT-OP** continuously adjustable for Fronius Ohmpilot, my-PV AC ·THOR
- **ASKOHEAT-S** and **ASKOHEAT-E** as emergency heating

With the **ASKOWALL**, the service life of the heat pump can be extended and with the excess PV power, you can heat the entire storage tank. If the desired high temperature (selection range between 50-75°C) is present in the **ASKOWALL**, the water is stratified and the storage tank is completely charged from top to bottom.



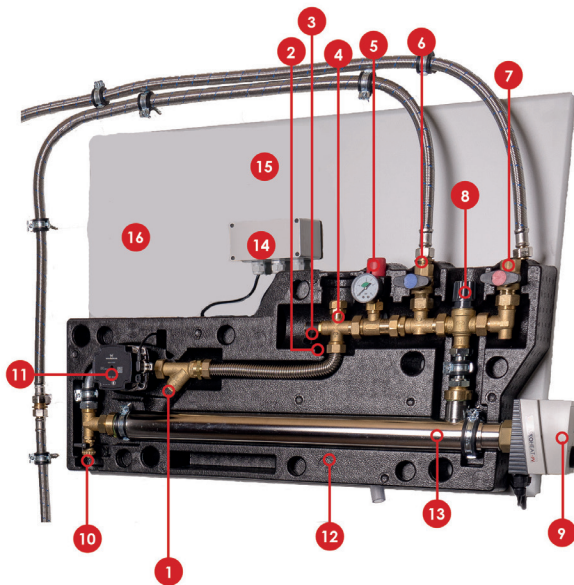
Approvals

- EN 60335-2-21
Condensate drain in housing prevents corrosion
No damage to the heating element during dry run
Overvoltage resistant (7.25%)
- EN 60335-1, EN 60335-2-7
- EN 55014-1, EN 55014-2
- EN 62233
- EN 60529

TECHNICAL ADVANTAGES AND DETAILS

Technical advantages


- For max. surplus PV power storage
- Automatic temperature control
- Min. flow temperature can be freely selected (50-75°C)
- Temperatures up to 85°C possible
- Full buffer tank volume can be used
- Legionella protection thanks to high temperature
- Self-regulating pump
- No turbulence in thermal stratification of tank
- Pressure relief valve 3 bar
- Hydraulic unit tested up to 10 bar
- Slight changes possible
- Heating elements up to 9kW can be used











- 1 Mud flap
- 2 Filling valve
- 3 Vent valve
- 4 Connection for possible expansion tank
- 5 Pressure relief valve
- 6 Return flow shutoff (and OXYban hose connection)
- 7 Flow shutoff (and OXYban hose connection)
- 8 Thermostatic valve 50-75°C
- 9 Screw-in heater **ASKOHEAT** according to choice of power and regulation
- 10 Drain cock
- 11 Circulation pump
- 12 Insulation housing
- 13 Instantaneous water heater **ASKOFLOW** up to 9kW
- 14 Junction box with pump time delay relay
- 15 Console rear wall

Initial temperature in storage	40
Storage capacity [L]	1000

Final storage temperature [°C]	50	60	70	80	85
Rise of storage temperature [K]	10	20	30	40	45

Installation method of the heating element	Volume							
ASKOWALL uses the whole storage capacity	100%		PV power storage [kW]	11.6	23.2	34.8	46.4	52.2
Screw-in heater is in the middle area	50%		PV power storage [kW]	5.8	11.6	17.4	23.2	26.1
Flange heater is in the lower area	75%		PV power storage [kW]	8.7	17.4	26.1	34.8	39.2

ORDER OPTIONS

Order no.	Appellation	Description	Dimension in mm	Fitting heating elements
1.1. ASKOWALL+				
	012-2103	ASKOWALL+ ASKOWALL+ for heating water with connection for ASKOHEAT+ depending on the output. The electrical connection box is prepared for the ASKOSET+ , and pre-wired for the circulation pump and the heating element.	1300x700	 ASKOHEAT
2.1. ASKOWALL-OP				
	012-5500	ASKOWALL-OP ASKOWALL-OP for heating water with connection for ASKOHEAT-OP depending on the output. The electrical connection box is pre-wired for the on-site Fronius Ohmpilot and for the circulation pump and contains the time-delay relay.	1300x700	 ASKOHEAT
3.1. ASKOWALL				
	012-2102	ASKOWALL ASKOWALL for heating water with connection for ASKOHEAT depending on the output. The electrical connection box is pre-wired for the circulation pump and contains the time-delay relay.	1300x700	 ASKOHEAT
4.1. Options				
	012-0130	ASKOHOSE Two oxygen-tight OXYban connection hoses for a flexible connection of the ASKOWALL to the buffer tank.	1600mm	
	012-0126	ASKOSENSOR Sensor set with 4x PT1000 sensors for ASKOHEAT+ to be attached on the ASKOWALL .		